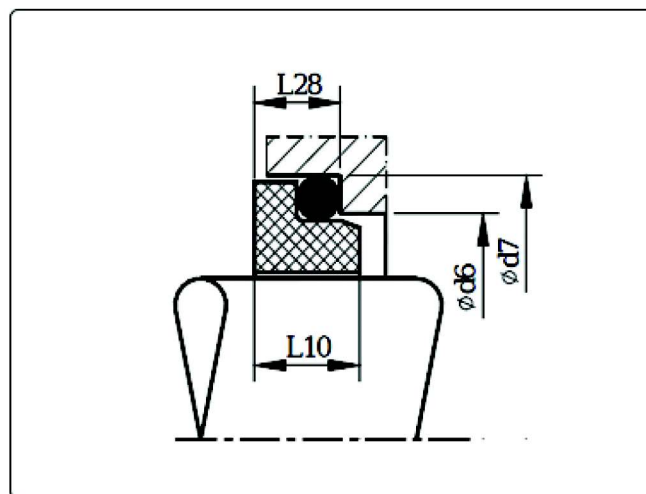


U6

Equivalent to Burgmann G6 Unit of Measure = Metric

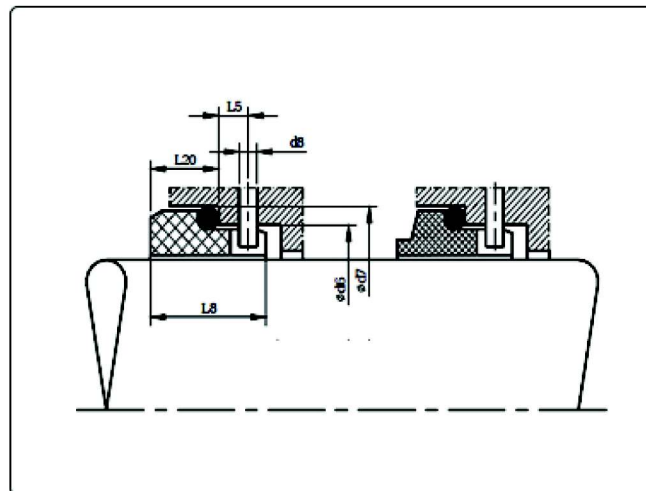
Shaft	d6	d7	L10	L28
10	17	21	7.5	6.6
12	19	23	7.5	6.6
14	21	25	7.5	6.6
16	23	27	7.5	6.6
18	27	33	8.5	7.5
20	29	35	8.5	7.5
22	31	37	8.5	7.5
24	33	39	8.5	7.5
25	34	40	8.5	7.5
28	37	43	8.5	7.5
30	39	45	8.5	7.5
32	42	48	8.5	7.5
33	42	48	8.5	7.5
35	44	50	8.5	7.5
38	49	56	10.0	9.0
40	51	58	10.0	9.0
43	54	61	10.0	9.0
45	56	63	10.0	9.0
48	59	66	10.0	9.0
50	62	70	10.5	9.5
53	65	73	12.0	11.0
55	67	75	12.0	11.0
58	70	78	12.0	11.0
60	72	80	12.0	11.0
65	77	85	12.0	11.0
68	81	90	12.5	11.3
70	83	92	12.5	11.3
75	88	97	12.5	11.3
80	95	105	13.0	12.0
85	100	110	15.0	14.0
90	105	115	15.0	14.0
95	110	120	15.0	14.0
100	115	125	15.0	14.0



U9

Equivalent to John Crane G9 Unit of Measure = Metric

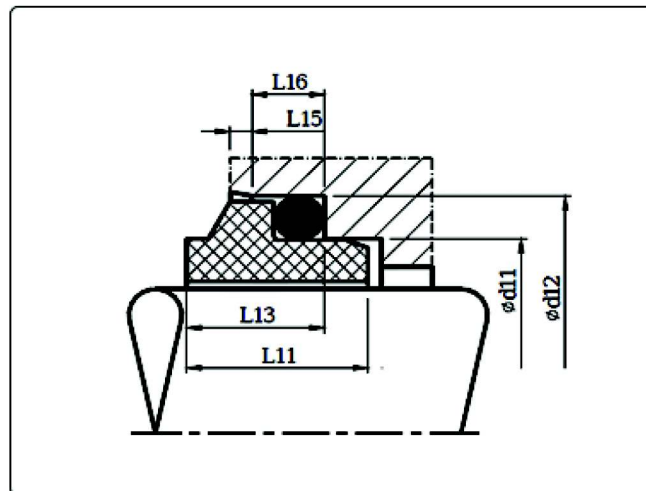
Shaft	d6	d7	d8	L5	L8	L20
10	17	21	3	5	17.5	10.0
12	19	23	3	5	17.5	10.0
14	21	25	3	5	17.5	10.0
16	23	27	3	5	17.5	10.0
18	27	33	3	5	19.5	11.5
20	29	35	3	5	19.5	11.5
22	31	37	3	5	19.5	11.5
24	33	39	3	5	19.5	11.5
25	34	40	3	5	19.5	11.5
28	37	43	3	5	19.5	11.5
30	39	45	3	5	19.5	11.5
32	42	48	3	5	19.5	11.5
33	42	48	3	5	19.5	11.5
35	44	50	3	5	19.5	11.5
38	49	56	4	5	22.0	14.0
40	51	58	4	5	22.0	14.0
43	54	61	4	5	22.0	14.0
45	56	63	4	5	22.0	14.0
48	59	66	4	5	22.0	14.0
50	62	70	4	5	23.0	15.0
53	65	73	4	5	23.0	15.0
55	67	75	4	5	23.0	15.0
58	70	78	4	5	23.0	15.0
60	72	80	4	5	23.0	15.0
65	77	85	4	5	23.0	15.0
68	81	90	4	5	26.0	18.0
70	83	92	4	5	26.0	18.0
75	88	97	4	5	26.0	18.0
80	95	105	4	5	26.2	18.2
85	100	110	4	5	26.2	18.2
90	105	115	4	5	26.2	18.2
95	110	120	4	5	25.2	17.2
100	115	125	4	5	25.2	17.2



U13

Equivalent to Burgmann G13 Unit of Measure = Metric

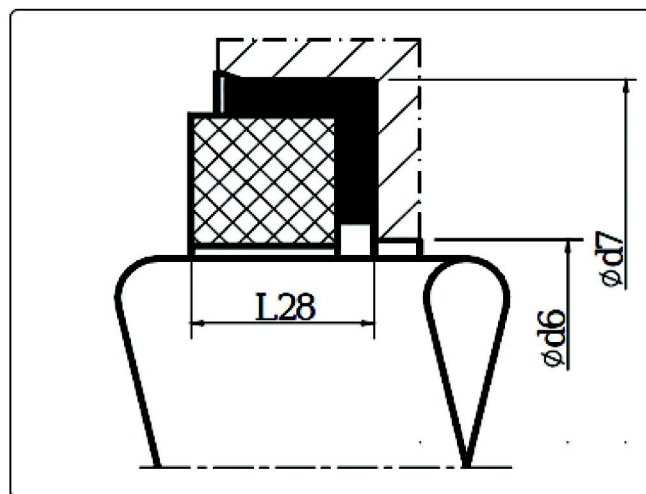
Shaft	d11	d12	L11	L13	L15	L16
10	15.5	19.2	9.0	7.1	1.2	3.8
12	17.5	21.6	10.0	7.6	1.2	3.8
14	20.5	24.6	10.0	7.6	1.2	3.8
15	20.5	24.6	11.0	8.6	1.2	3.8
16	22.0	28.0	11.5	9.0	1.5	5.0
18	24.0	30.0	12.5	10.0	1.5	5.0
20	29.5	35.0	12.5	9.5	1.5	5.0
22	29.5	35.0	12.5	9.5	1.5	5.0
24	32.0	38.0	12.5	9.5	1.5	5.0
25	32.0	38.0	12.5	9.5	1.5	5.0
28	36.0	42.0	14.0	11.0	1.5	5.0
30	39.2	45.0	14.0	11.0	1.5	5.0
32	42.2	48.0	14.0	11.0	1.5	5.0
33	44.2	50.0	14.5	11.5	1.5	5.0
35	46.2	52.0	14.5	11.5	1.5	5.0
38	49.2	55.0	14.5	11.5	1.5	5.0
40	52.2	58.0	14.5	11.5	1.5	5.0
42	53.3	62.0	17.0	14.3	2.0	6.0
43	53.3	62.0	17.0	14.3	2.0	6.0
45	55.3	64.0	17.0	14.3	2.0	6.0
48	59.7	68.4	17.0	14.3	2.0	6.0
50	80.8	69.3	17.0	14.3	2.0	6.0
53	63.8	72.3	17.0	14.3	2.0	6.0
55	66.5	75.4	18.0	15.3	2.0	6.0
58	69.5	78.4	18.0	15.3	2.0	6.0
60	71.5	80.4	18.0	15.3	2.0	6.0
63	74.5	83.4	18.0	15.3	2.0	6.0
65	76.5	85.4	18.0	15.3	2.0	6.0
68	82.7	91.5	19.0	16.0	2.0	6.0
70	83.0	92.0	18.0	15.3	2.0	6.0
75	90.2	99.0	18.0	15.3	2.0	6.0
80	95.2	104.0	19.0	16.3	2.0	6.0
85	100.2	109.0	19.0	16.3	2.0	6.0
90	105.2	114.0	19.0	16.3	2.0	6.0
95	111.6	120.3	20.0	17.3	2.0	6.0
100	114.5	123.3	20.0	17.3	2.0	6.0



U60

Equivalent to Burgmann G60 Unit of Measure = Metric

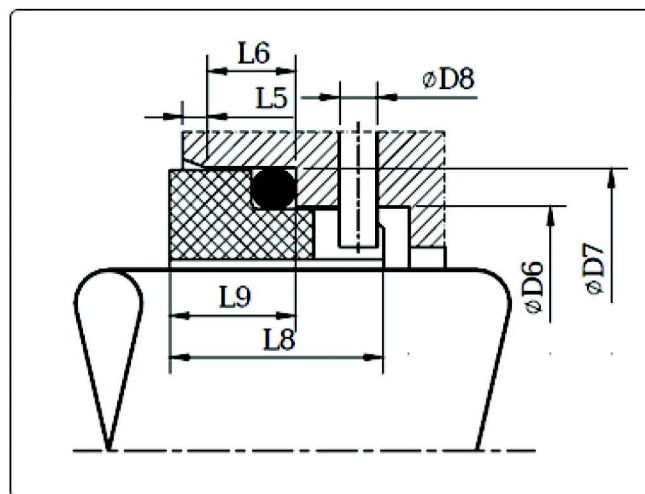
Shaft	d6	d7	L28
10	17	21	6.6
12	19	23	6.6
14	21	25	6.6
16	23	27	6.6
18	27	33	7.5
20	29	35	7.5
22	31	37	7.5
24	33	39	7.5
25	34	40	7.5
28	37	43	7.5
30	39	45	7.5
32	42	48	7.5
33	42	48	7.5
35	44	50	7.5
38	49	56	9.0
40	51	58	9.0
43	54	61	9.0
45	56	63	9.0
48	59	66	9.0
50	62	70	9.5
53	65	73	11.0
55	67	75	11.0
58	70	78	11.0
60	72	80	11.0
65	77	85	11.0
68	81	90	11.3
70	83	92	11.3
75	88	97	11.3
80	95	105	12.0
85	100	110	14.0
90	105	115	14.0
95	110	120	14.0
100	115	125	14.0



UDINL

Equivalent to UDINL Unit of Measure = Metric

Shaft	d6	d7	d8	L5	L6	L8	L9
10	17	21	3	1.5	5.5	15.0	8.6
12	19	23	3	1.5	5.5	15.0	8.6
14	21	25	3	1.5	5.5	15.0	8.6
16	23	27	3	1.5	5.5	15.0	8.6
18	27	33	3	2.0	7.0	17.0	10.0
20	29	35	3	2.0	7.0	17.0	10.0
22	31	37	3	2.0	7.0	17.0	10.0
24	33	39	3	2.0	7.0	17.0	10.0
25	34	40	3	2.0	7.0	17.0	10.0
28	37	43	3	2.0	7.0	17.0	10.0
30	39	45	3	2.0	7.0	17.0	10.0
32	42	48	3	2.0	7.0	17.0	10.0
33	42	48	3	2.0	7.0	17.0	10.0
35	44	50	3	2.0	7.0	17.0	10.0
38	49	56	4	2.0	8.0	18.0	11.0
40	51	58	4	2.0	8.0	18.0	11.0
43	54	61	4	2.0	8.0	18.0	11.0
45	56	63	4	2.0	8.0	18.0	11.0
48	59	66	4	2.0	8.0	18.0	11.0
50	62	70	4	2.5	8.5	20.0	13.0
53	65	73	4	2.5	8.5	20.0	13.0
55	67	75	4	2.5	8.5	20.0	13.0
58	70	78	4	2.5	8.5	20.0	13.0
60	72	80	4	2.5	8.5	20.0	13.0
65	77	85	4	2.5	8.5	20.0	13.0
68	81	90	4	2.5	9.5	22.0	15.3
70	83	92	4	2.5	9.5	22.0	15.3
75	88	97	4	2.5	9.5	22.0	15.3
80	95	105	4	3.0	10.0	22.5	15.7
85	100	110	4	3.0	10.0	22.5	15.7
90	105	115	4	3.0	10.0	22.5	15.7
95	110	120	4	3.0	10.0	22.5	15.7
100	115	125	4	3.0	10.0	22.5	15.7



UDINS

Equivalent to UDINS Unit of Measure = Metric

Shaft	d6	d7	L5	L6	L9	L10
10	17	21	1.5	5.5	8.6	10.0
12	19	23	1.5	5.5	8.6	10.0
14	21	25	1.5	5.5	8.6	10.0
16	23	27	1.5	5.5	8.6	10.0
18	27	33	2.0	7.0	10.0	11.5
20	29	35	2.0	7.0	10.0	11.5
22	31	37	2.0	7.0	10.0	11.5
24	33	39	2.0	7.0	10.0	11.5
25	34	40	2.0	7.0	10.0	11.5
28	37	43	2.0	7.0	10.0	11.5
30	39	45	2.0	7.0	10.0	11.5
32	42	48	2.0	7.0	10.0	11.5
33	42	48	2.0	7.0	10.0	11.5
35	44	50	2.0	7.0	10.0	11.5
38	49	56	2.0	8.0	11.0	12.5
40	51	58	2.0	8.0	11.0	12.5
43	54	61	2.0	8.0	11.0	12.5
45	56	63	2.0	8.0	11.0	12.5
48	59	66	2.0	8.0	11.0	12.5
50	62	70	2.5	8.5	13.0	14.5
53	65	73	2.5	8.5	13.0	14.5
55	67	75	2.5	8.5	13.0	14.5
58	70	78	2.5	8.5	13.0	14.5
60	72	80	2.5	8.5	13.0	14.5
65	77	85	2.5	8.5	13.0	14.5
68	81	90	2.5	9.5	15.3	16.5
70	83	92	2.5	9.5	15.3	16.5
75	88	97	2.5	9.5	15.3	16.5
80	95	105	3.0	10.0	15.7	17.5
85	100	110	3.0	10.0	15.7	17.5
90	105	115	3.0	10.0	15.7	17.5
95	110	120	3.0	10.0	15.7	17.5
100	115	125	3.0	10.0	15.7	17.5

